

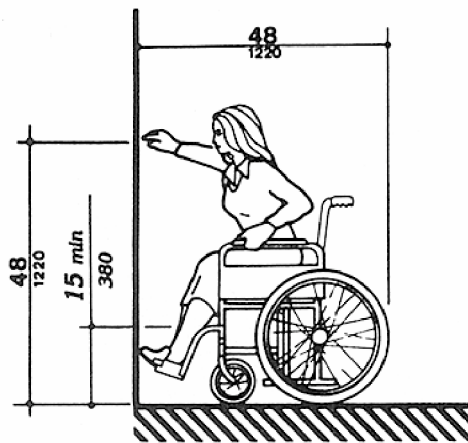
ADA Standards for Accessible Design (Revised as of July 1, 1994)
Department of Justice, Code of Regulations 28 CFR Part 36 (excerpts)

Part Regulations

- 4.18.2 – Urinals/Toilets shall be 17” maximum height from floor. Urinals must have an elongated rim.
- 4.18.3 – Clear floor space of 30” x 48” in front of urinal/toilet as a path. There must be a turning diameter of 60” (4.2.3) (see Fig. 28, Fig. 29)
- 4.24.4 – Sink bowl is 6.5” deep maximum.

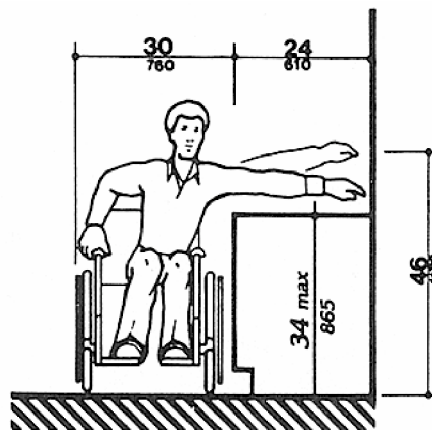
Internal Placement/Design Regulations

- 4.22.2 – Doors shall not swing into open floor space.
- 4.2.5 – Maximum height for forward reach is 48” (See Fig. 5)
- 4.2.6 – Maximum side reach is 54” (See Fig. 6) 54” from the edge of the wheelchair to object if there is an obstacle to reach over. Obstacle must be less than 24” to wall in order to comply with this code.
- 4.19.2, 4.24.2 – Sink or receptacle shall be no more than 34” from floor.
- 4.26.2 – Grab bars must be 1.5” from wall, and 1.25” to 1.50” in diameter.
- 4.16.4 – Grab bars must be 36” min. height from floor.
- Fig. 30 – Toilet paper must be mounted 19” minimum from floor.



High Forward Reach Limit

Fig. 5
Forward Reach



Maximum Side Reach over Obstruction

Fig. 6
Side Reach

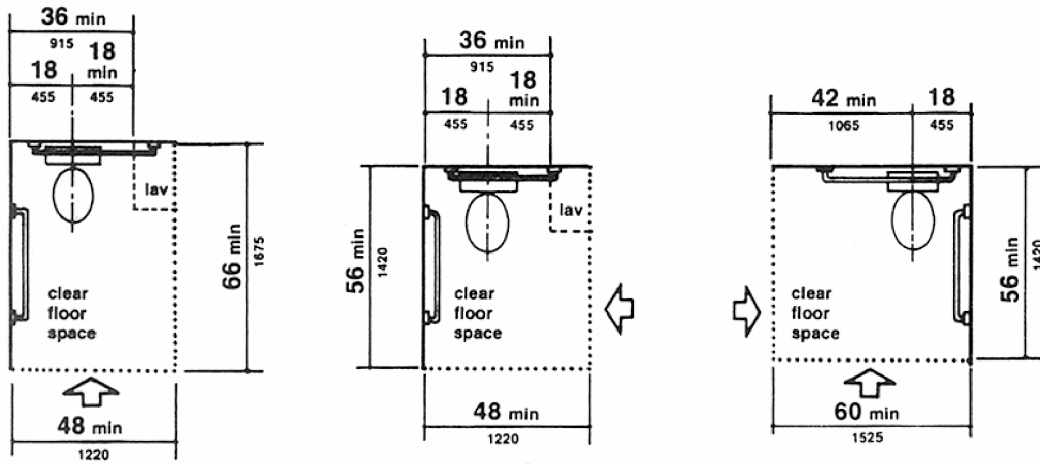


Fig. 28
Clear Floor Space at Water Closets

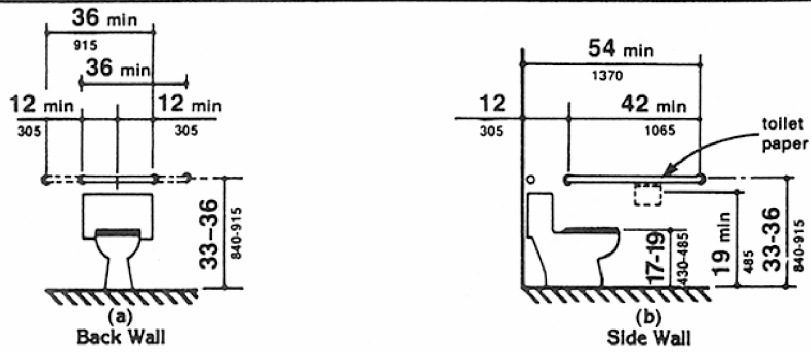


Fig. 29
Grab Bars at Water Closets

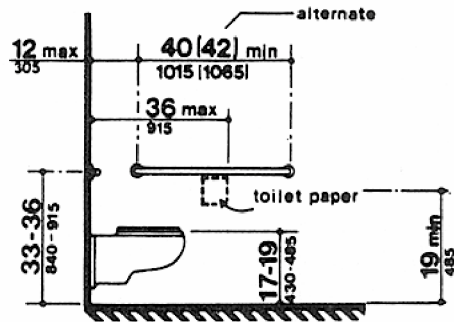


Fig. 30
Toilet Stalls